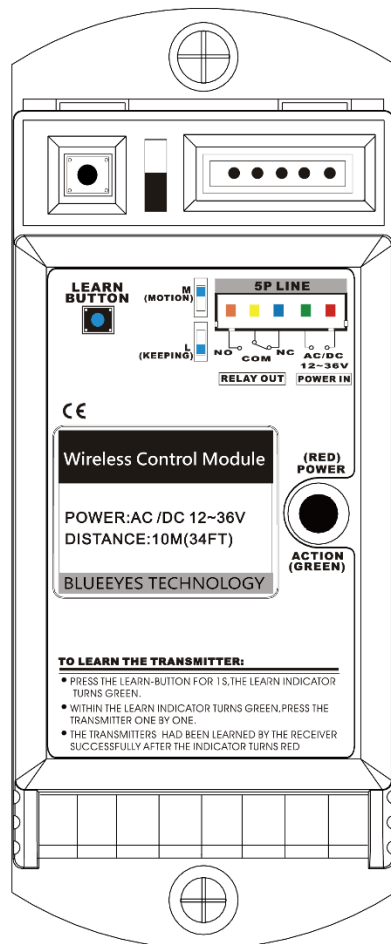


iCam PRO

Wireless Control Module (WCM)



Features

- Teacher activated recording system via remote control
- Recording indicator shows status of iCam PRO
- Easy big button control
- Surface Acoustic Wave technology for frequency stability
- Operation frequency: 315MHz, stability better than 10^{-5}
- Low-power, long distance (50 meter), energy saving design
- Wide-ranged power input design, accepts 12~36V AC/DC
- Sound and light confirmation
- Convenient auto pairing of new remotes

www.BlueEyesTech.com

iCam PRO

Wireless Control Module (WCM)

Wireless Receiver Specifications

Power	AC/DC 12 ~ 36V
Current	15mA
Working current	80mA
Power capability	20A 14VDC
Connector link keeping time	2 seconds
Dimensions	123mm(L) x 50mm(W) x 32mm(H)
Weight	150 grams

Remote Control Specifications

Power	12V 23A
Battery life	Press more than 60,000 times
Control distance	> 50 meters (normal value)
Operation temperature	-42°C ~ 45°C
Operation humidity	10% ~ 90% RH (condensing)

Purchasing Information

Order number	Item	Where to buy
WCM	Wireless Control Module	Reseller or agent

©2015 BlueEyes Technology Corporation. BlueEyes Technology, BlueEyes, iLearning, SES, SES One, FL, iCam, iCam Live, STB, Montage, DDS, Livebox, iFS, iFollow, SCT, WebNVR, NVR, NVB, BMS, BIS, PVS and PowerStation are registered trademarks or trademark applications of BlueEyes Technology in various jurisdictions. All other company names and products are trademarks or registered trademarks of their respective companies. We reserve the right to introduce modifications without notice.